



Appearance

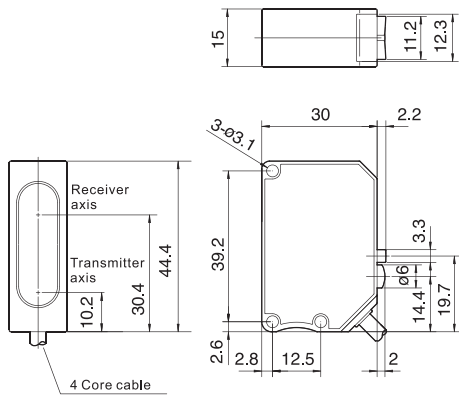
Type	Long distance type		Short distance type
Sensing type	Diffuse reflection		
Set distance	50~300mm		20~100mm
Sensing distance	100~700mm	10~300mm	5~100mm
Beam size	φ 6mm/200mm	φ 1.5mm/300mm	φ 1mm/100mm
Switch type	Selectable L.on/D.on		
Indicator	Output indicator: Orange; Laser indicator: Green		
Response time	0.7 ms		0.3 ms
Sensitivity adjustment	Four-turn potentiometer		
Light source	Laser(650nm)		
Laser class	Class2		Class1
Operating voltage	10~30V DC ± 10%		
Current consumption	35mA		≤30mA
Ambient temperature	-10°C~+50°C, No freezing		
Ambient humidity	35%~85%RH, No condensation		
Impact resistance	50G(500m/s ²)		
Degree of protection	IP67		
Material	Housing: ABS+ fiber glass; Lens: PMMA		
Accessories	Bracket		
Model No.	NPN	ELS-ZL70N	ELS-ZL30N (HOT)
	PNP	ELS-ZL70P	ELS-ZL30P
			ELS-ZL10N
			ELS-ZL10P

- Fiber Optic
- Slot Sensors
- Photoelectric
- Laser**
- Proximity
- Displacement
- Magnetic
- Contact
- Area
- Ultrasonic
- Vision
- Vibration
- Temperature
- Annexes

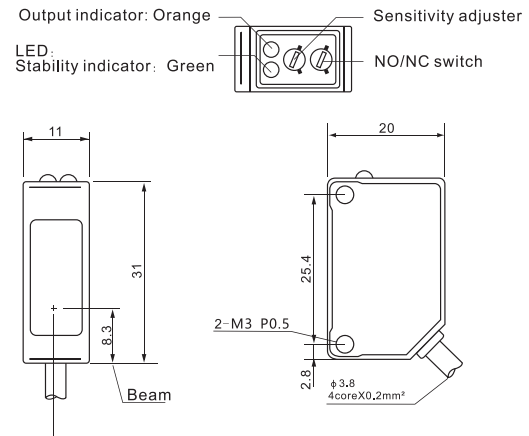
Dimensions

Unit: mm

ELS-ZL70N(P)

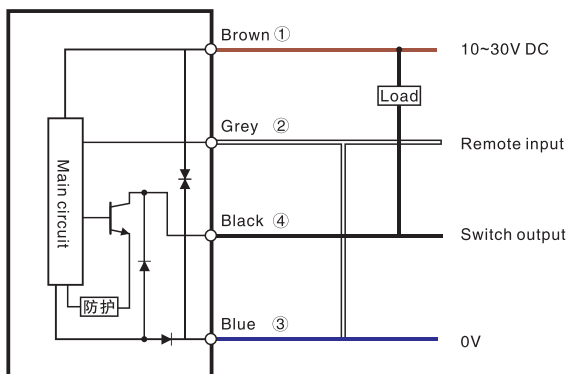


ELS-ZL30N(P)/ELS-ZL10N(P)

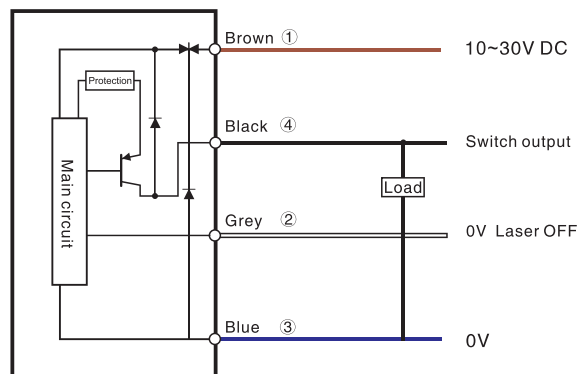


Circuit diagram

ELS-ZL30 NPN Output



PNP Output



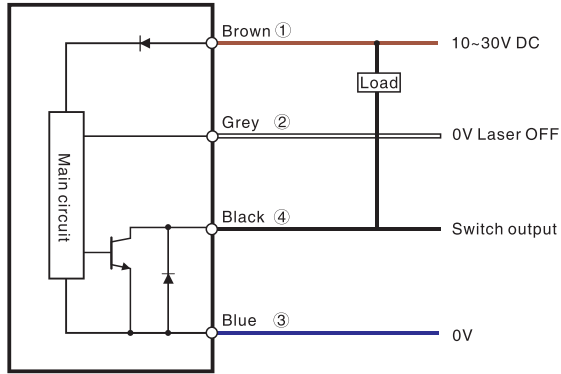
Guidance

- Laser sensors
- Square
- BGS**
- Transparent objects detection

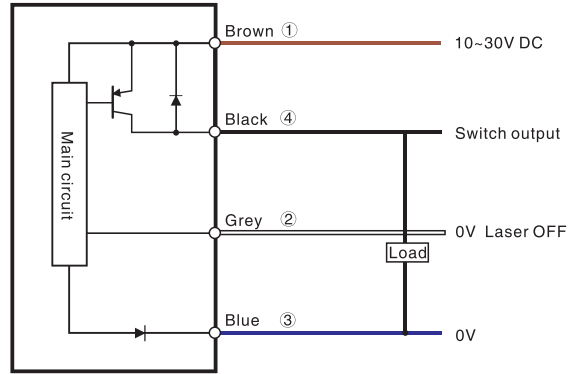
Circuit diagram

ELS-ZL70/ELS-ZL10

NPN Output



PNP Output



Fiber Optic

Slot Sensors

Photoelectric

Laser

Proximity

Displacement

Magnetic

Contact

Area

Ultrasonic

Vision

Vibration

Temperature

Annexes

Guidance

Laser sensors

Square

BGS

Transparent objects
detection