



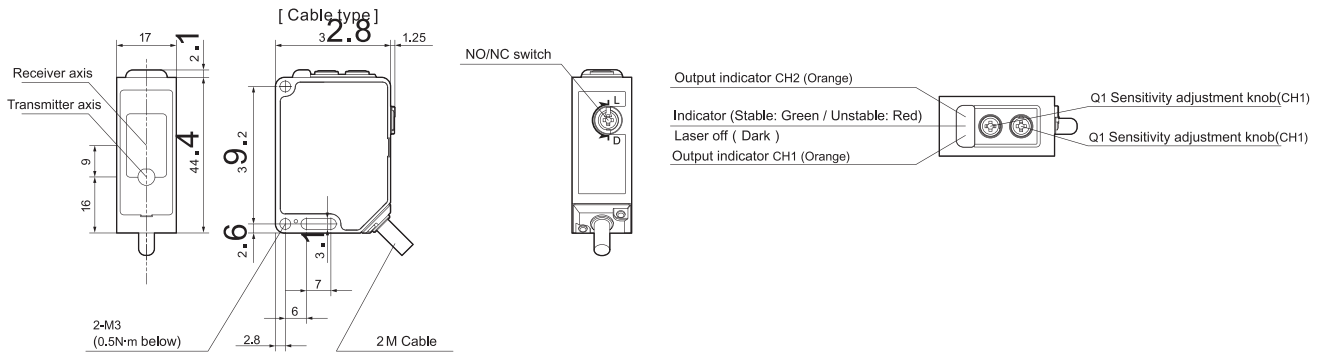
TOF Principle

Appearance	
Type	Long distance
Sensing type	Diffuse reflection
Sensing distance	0~4,5m
Beam size	About 17mm (4.5m away)
Switch type	Selectable L.on/D.on
Indicator	Output indicator: Orange; Laser indicator: Green
Response time	≤0,5ms
Sensitivity adjustment	Four-turn potentiometer
Light source	Laser(650nm)
Laser class	Class 1
Operating voltage	10~30V DC ± 10%
Current consumption	≤85mA
Ambient temperature	-10°C~+50°C, No freezing
Ambient humidity	35%~85% RH, No condensation
Impact resistance	50G(500m/s2)
Degree of protection	IP67
Material	Housing: ABS+ fiber glass; Lens PMM
Model No.	NPN ELT-S450N PNP ELT-S450P

- Fiber Optic
- Slot Sensors
- Photoelectric
- Laser**
- Proximity
- Displacement
- Magnetic
- Contact
- Area
- Ultrasonic
- Vision
- Vibration
- Temperature
- Annexes

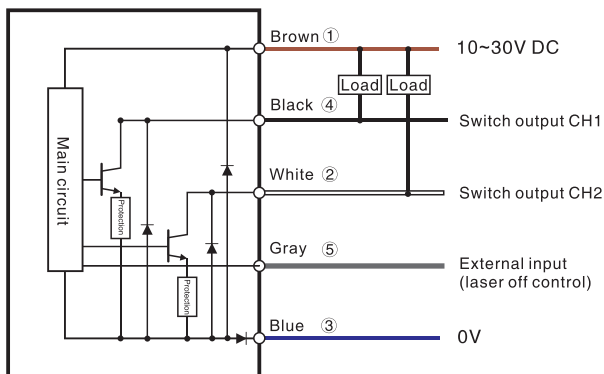
Dimensions

Unit: mm



Circuit diagram

NPN Output



PNP Output

