



NEW!



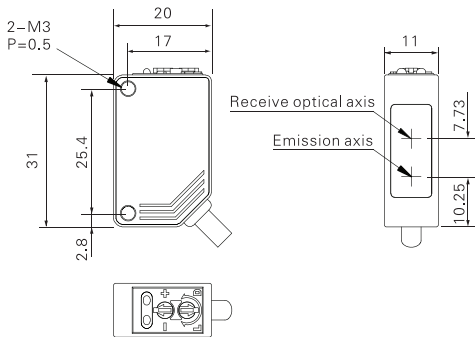
NEW!

Appearance				
Sensing type	Diffuse reflection-BGS			
Sensing distance	1~10cm	1~15cm	1~30cm	
Hysteresis	≤5%	≤20%	≤5%	
Output type	NPN/PNP Open-collector, ≤100mA/30V DC			
Switch type	L.on/D.on selectable			
Indicator	Operation indicator: Green Motion indicator: Red			
Response time	≤2ms	5ms	≤2ms	
Sensitivity adjustment	Adjuster(6 turns)	Adjuster (single turns)	Adjuster(6 turns)	
Light source	Red LED small spot 623nm (modulation)	Red LED 623nm (modulation)		
Operating voltage	10~30V DC ± 10%	10~24V DC ± 10%	10~30V DC ± 10%	
Current consumption	≤30mA			
Ambient luminance	Sunlight ≤5,000Lux, Incandescent lamp ≤3,000Lux			
Ambient temperature	-25°C~55°C no freezing			
Ambient humidity	35~85% RH, No condensation			
Degree of protection	IP65			
Connection method	2M/3 core cable			
Material	PBT+fiberglass(body); PMMA(Window)			
Accessories	Screwdriver			
Model No.	NPN	<b>ESB-S10N</b>	<b>ESB-S15N</b>	<b>ESB-S30N</b>
	PNP	<b>ESB-S10P</b>	<b>ESB-S15P</b>	<b>ESB-S30P</b>

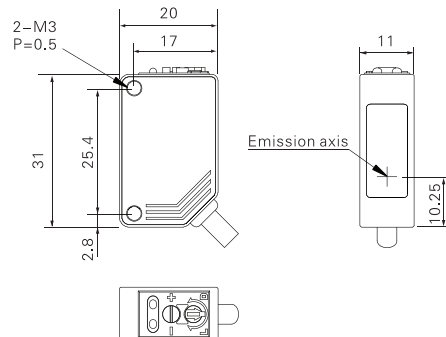
### Dimensions

Unit: mm

ESB-S10/15N(P)

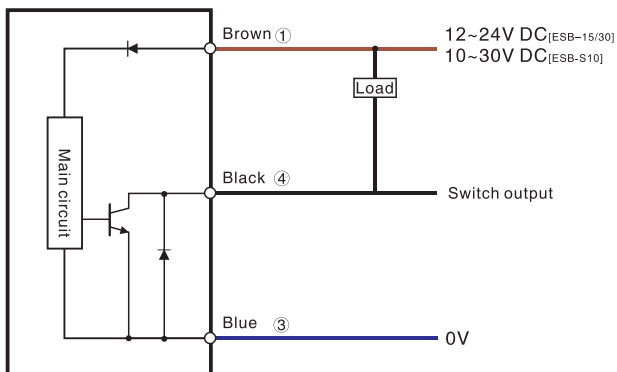


ESB-S30N(P)

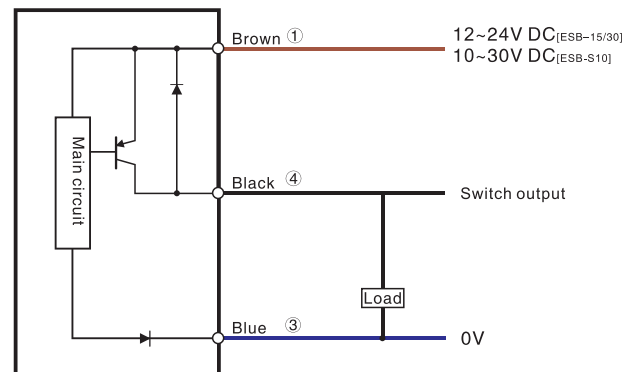


### ESB-S10/15/30N(P)

NPN Output



PNP Output



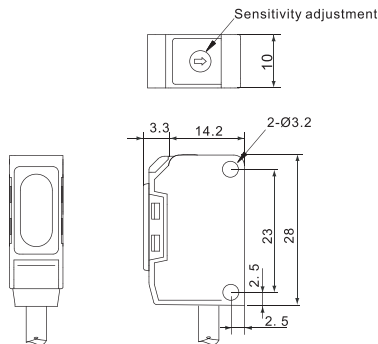
ESB Series

Appearance			
Sensing type	Diffuse reflection-BGS		
Sensing distance	1~8cm	1~30cm	1~20cm
Hysteresis	≦ 10%	5%	10%
Output type	NPN/PNP Open – collector, ≦ 100mA/30V DC		
Switch type	Selectable L.on / D.on		
Indicator	Output indicator: Red	Operation indicator: Green ; Output indicator: Red	
Response time	≦ 0.5ms	≦ 0.5ms	< 2ms
Sensitivity adjustment	5–turn adjuster	4–turn adjuster	Multi–turn potentiometer
Light source	Red LED (660nm)		
Operating voltage	10~30V DC ± 10%		
Current consumption	< 20mA	≦ 30mA	...
Ambient light	Sunlight ≦ 10,000Lux, Incandescent lamp ≦ 3,000Lux		
Ambient temperature	–25℃~55℃ no freezing		
Ambient humidity	35~85% RH, No condensation		
Degree of protection	IP67		IP65
Connection	2M/4 core cable	2M/3 core cable	2M/4 core cable
Material	PBT(body);PC(window)	ABS(Body); PMMA(window)	ABS(body);PC(window)
Accessories	Bracket, screwdriver, mounting screw	Bracket, mounting screws	Bracket, screwdriver, mounting screw
Model No.	NPN PNP	<b>ESB-S08N</b> <b>ESB-S08P</b>	<b>ESB-Z30N</b> <b>ESB-Z30P</b>
		<b>ESB-20N</b> <b>ESB-20P</b>	

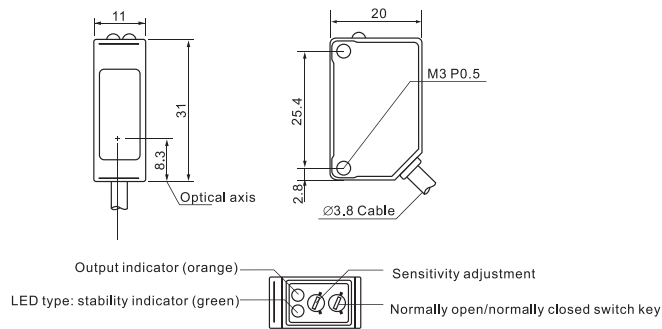
Dimensions

Unit: mm

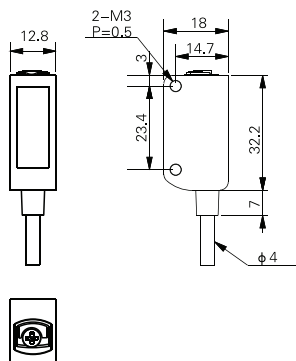
ESB-S08N(P)



ESB-Z30N(P)

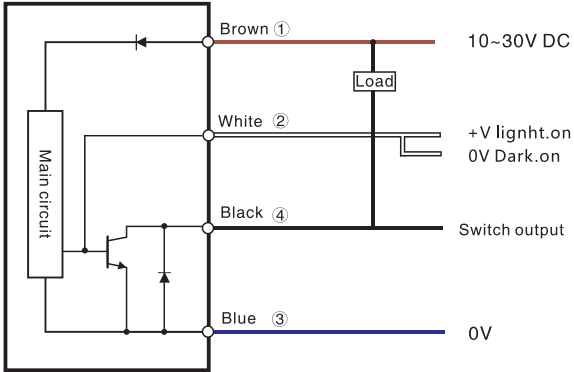


ESB-20N(P)

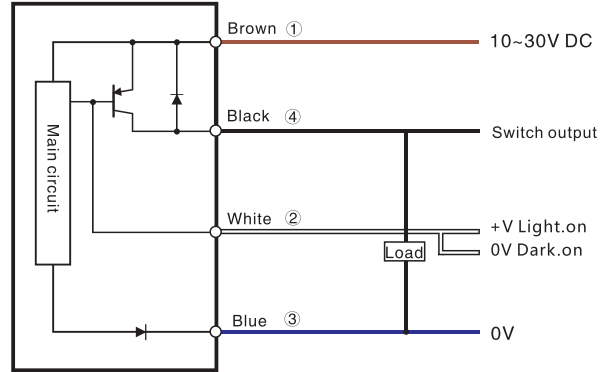


**ESB-S08N(P)**

**NPN Output**

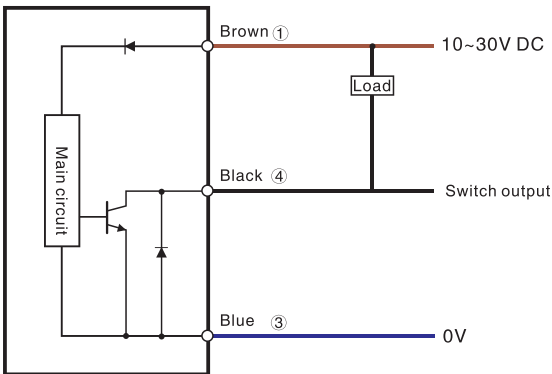


**PNP Output**

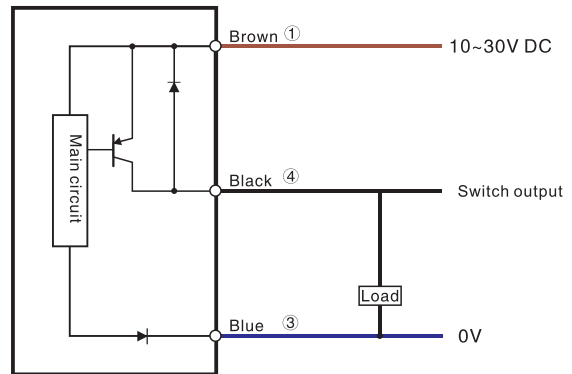


**ESB-Z30N(P)**

**NPN Output**

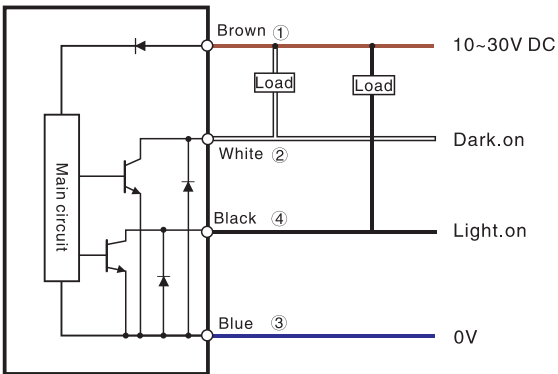


**PNP Output**



**ESB-20N(P)**

**NPN Output**



**PNP Output**

