

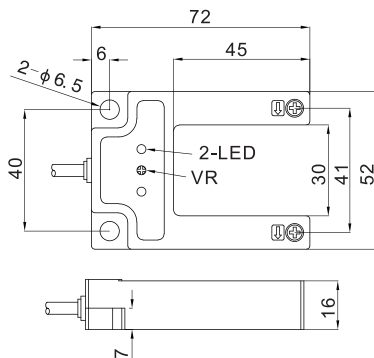
Wide Slot Type

KIM Series



Appearance	
Detection method	Thru-beam
Sensing distance	30mm
Output mode	NPN and PNP open collector
Switch mode	Selectable L.on/D.on
Standard test object	Opaque objects diameter>2mm
Output instructions	Yellow LED
Response time	≤1ms
Light source	Infrared LED (modulation)
Operating voltage	12~24V DC
Residual voltage	≤2.5V DC
Current consumption	≤15mA
Load current	≤200mA
Protective circuit	Reverse polarity protection, short circuit protection
Ambient temperature	-15°C~+55°C
Withstand voltage	1000V/AC 50/60Hz 1 minute
Shock resistance	10 to 50 Hz with 1.5mm amplitude for 2 hours each in X, Y, and Z directions
Impact resistance	500m/s ² (50G), 3 times in XYZ direction
Dielectric strength	≥50MΩ/500V DC
Protection degree	IP65
Material method	Aluminum alloy
Connection	2M 4core cable
Model No.	NPN D.on/L.on KIM30-0304N PNP D.on/L.on KIM30-0304P

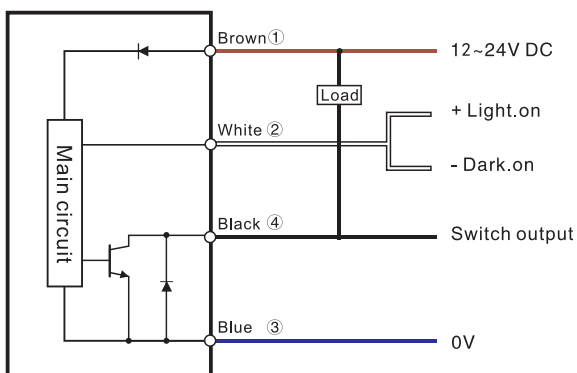
Dimensions



Unit: mm

Circuit diagram

NPN



PNP

