

Built-in Controller

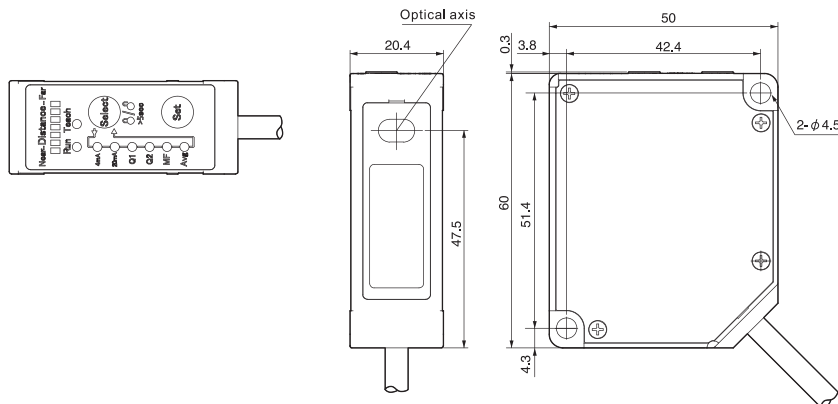
MLD33 Series



Appearance					
Sensing type	Diffuse reflection				
Center of sensing distance	30mm	50mm	85mm	120mm	250mm
Sensing distance	26~34mm	40~60mm	65~105mm	60~180mm	100~400mm
F.S	8mm	20mm	40mm	120mm	300mm
Light source	Medium Wavelength	Red laser diode wavelength: 655nm			
	Max. output	1mW max			
Laser class	IEC/JIS	Class2			
	FDA	Class2			
Beam size	Close range	0.15*0.15mm	0.6*1.2mm	0.9*1.5mm	1.2*1.8mm
	Center	0.1*0.1mm	0.5*1.0mm	0.75*1.25mm	1.0*1.5mm
	Long range	0.15*0.15mm	0.4*0.9mm	0.6*1.0mm	0.5*0.8mm
Linearity	± 0.1% F.S.				
Repeat accuracy	Fast mode	4 μm	8 μm	15 μm	45 μm
	Others	2 μm	5 μm	10 μm	30 μm
Temperature drift	± 0.08% F.S./°C				
Operating voltage	Switch/Current output: 12~24V DC(-5%, +10%), Voltage output: 18~24V DC(-5%, +10%)				
Current consumption	Switch/Voltage output: max.55mA(24V DC), Current output: max.85mA(24V DC)				
Output	Switch output	2 Channels output, NPN/PNP Open-connector output, ≤100/30V DC, Voltage drop ≤1.8V			
	Analog output	Current output: 4~20mA; Voltage output: 0~10V			
Response time	Fast mode	max.5ms			
	Standard mode	max.12.5ms			
	High resolution mode	max.36.5ms			
	Sensitivity switch time	4ms max			
Indicator	Distance indicator	LED bar display on operation surface (25-step)			
	Output indicator	Q1 and Q2 LED lights up during output (orange)			
Ambient parameters	Degree of protection	IP67			
	Ambient temperature	-10°C~+45°C, No freezing			
	Ambient humidity	35%~85%RH, No condensation			
	Ambient brightness	Sunlight ≤20000Lux, Incandescent lamp ≤3000Lux			
	Vibration resistance	10~55Hz Double amplitude 1.5mm, XYZ three directions, 2 hours each			
Housing material	Shock resistance	500m/s ² (Approx.50G), XYZ three directions 3 times each			
	Housing material	Housing: PBT, Front cover: PMMA			
	Cable	Switch output: φ 5mm 5core 2m cable; Analog output: φ 5mm 6core 2m cable; Rs422 CI: φ 5mm 8core 2m cable; Max. extended length: 10m			
	Weight	Approx.65G(Not Including cable)			
	2CH+Analog current 4~20mA	MLD33-30NA/PA	MLD33-50NA/PA	MLD33-85NA/PA	MLD33-120NA/PA
2CH+Analog voltage 0~10V	MLD33-30NV/PV	MLD33-50NV/PV	MLD33-85NV/PV	MLD33-120NV/PV	MLD33-250NV/PV
1CH+RS422 CI	MLD33-30N/P-422	MLD33-50N/P-422	MLD33-85N/P-422	MLD33-120N/P-422	MLD33-250N/P-422
Remarks	N:NPN output; P:PNP output				

Dimensions

Unit: mm





Appearance

Sensing type		Regular Reflection		
Center of sensing distance		26.3mm	47.3mm	82.9mm
Sensing distance		24.3~28.3mm	42.3~52.3mm	72.9~92.9mm
F.S		4mm	10mm	20mm
Light source	Medium Wavelength	Red laser diode wavelength: 655nm		
	Max. output	1mW max		
Laser class	IEC/JIS	Class 2		
	FDA	Class 2		
Beam size	Close range	0.15*0.15mm		
	Center	0.1*0.1mm		
	Long range	0.15*0.15mm		
Linearity		±0.2% F.S		
Repeat accuracy	Fast mode		
	Others	1 μm	2.5 μm	5 μm
Temperature drift		±0.08% F.S./°C		
Operating		Switch/Current output: 12~24V DC(-5%, +10%), Voltage output: 18~24V DC(-5%, +10%)		
Current consumption		Switch/Voltage output: max.55mA(24V DC), Current output: max.85mA(24V DC)		
Output	Switch output	Dual outputs, NPN/PNP Open–connector output, ≤100/30V DC, Voltage drop≤1.8V		
	Analog output	Current output: 4~20mA; Voltage output: 0~10V		
Response time	Fast mode	max.5ms		
	Standard mode	max.12.5ms		
	High resolution mode	max.36.5ms		
	Sensitivity switch time	4ms max		
Indicator	Distance indicator	Strip shaped LED display (7 units)		
	Output indicator	ON state: Orange Q1/Q2 indicator(Orange)on		
Ambient parameters	Degree of protection	IP67		
	Ambient temperature	-10°C~+45°C, No freezing		
	Ambient humidity	35%~85% RH, No condensation		
	Ambient brightness	Sunlight≤2000Lux, Incandescent lamp≤3000Lux		
	Vibration resistance	10~55Hz Double amplitude1.5mm, XYZ three directions, 2 hours each		
	Shock resistance	500m/s ² (Approx.50G), XYZ three directions 3 times each		
Housing material		Housing: PBT,Front cover: PMMA		
Cable		Switch output: φ5mm 5core 2m cable; Analog output: φ5mm 6core 2m cable; Rs422 CI: φ5mm 8core 2m cable; Max. extended length:10m		
Weight		Approx.65g (Including cable)		
2CH+Analog current 4~20mA		MLD33-L30NA/PA	MLD33-L50NA/PA	MLD33-L85NA/PA
2CH+Analog voltage 0~10V		MLD33-L30NV/PV	MLD33-L50NV/PV	MLD33-L85NV/PV
1CH+RS422 CI		MLD33-L30N/P-422	MLD33-L50N/P-422	MLD33-L85N/P-422
Remarks		N: NPN output P: PNP output		

- Fiber Optic
- Slot Sensors
- Photoelectric
- Laser
- Proximity
- Displacement**
- Magnetic
- Contact
- Area
- Ultrasonic
- Vibration
- Temperature
- Cables
- Tester

Guidance

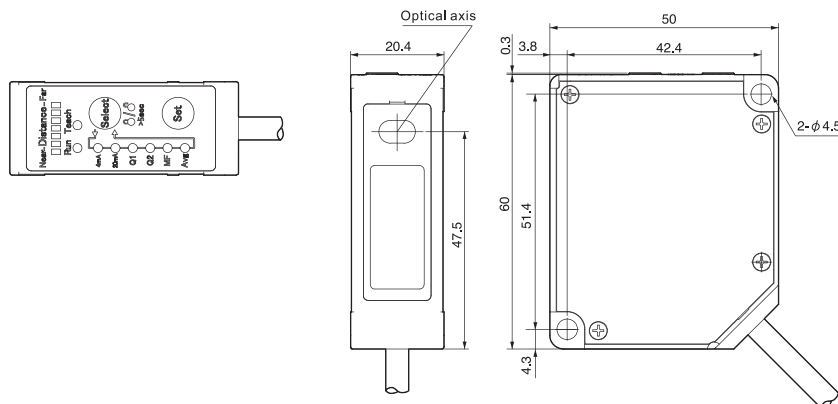
Displacement

- TOF measurement
- Mini digital display

Built-in controller

- Linear measurement
- Magnetic displacement
- LIDAR Scanner
- Color confocal

Dimensions



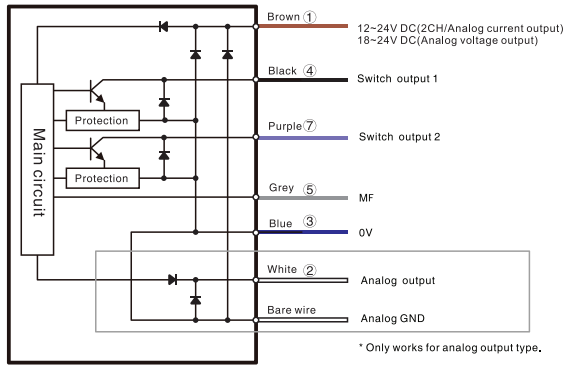
Unit: mm

Built-in Controller

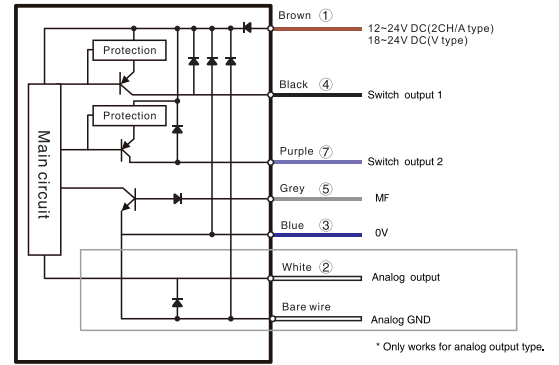
Circuit Diagram

■ Switch output/Analog output

■ NPN

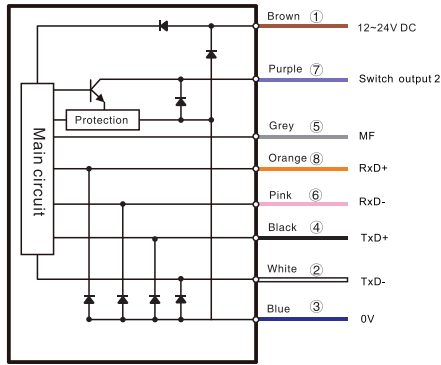


■ PNP

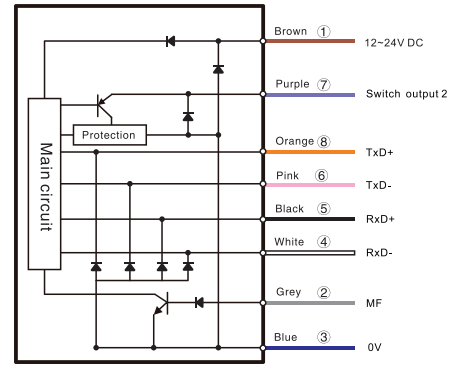


■ RS422

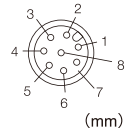
■ NPN



■ PNP



Connector pin line

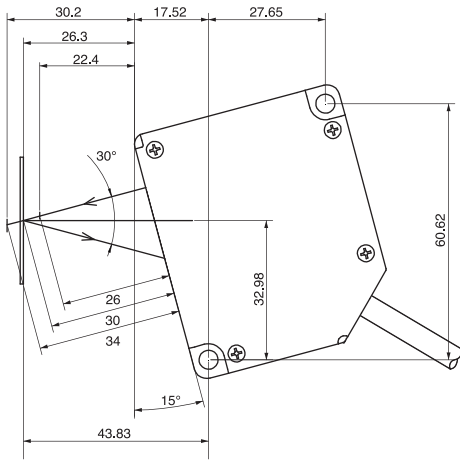


- Fiber Optic
- Slot Sensors
- Photoelectric
- Laser
- Proximity
- Displacement**
- Magnetic
- Contact
- Area
- Ultrasonic
- Vibration
- Temperature
- Cables
- Tester

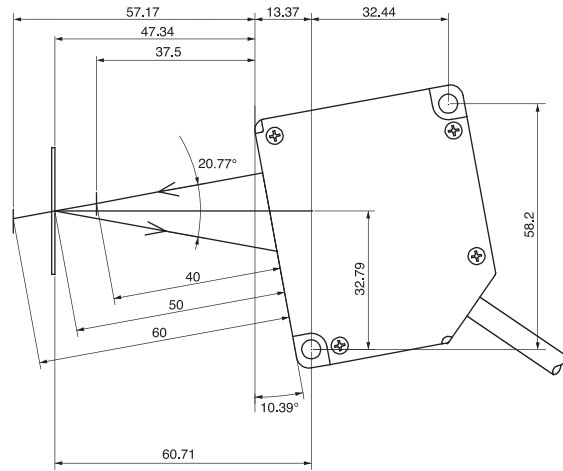
Guidance

- Displacement**
- TOF measurement
- Mini digital display
- Built-in controller**
- Linear measurement
- Magnetic displacement
- LIDAR Scanner
- Color confocal

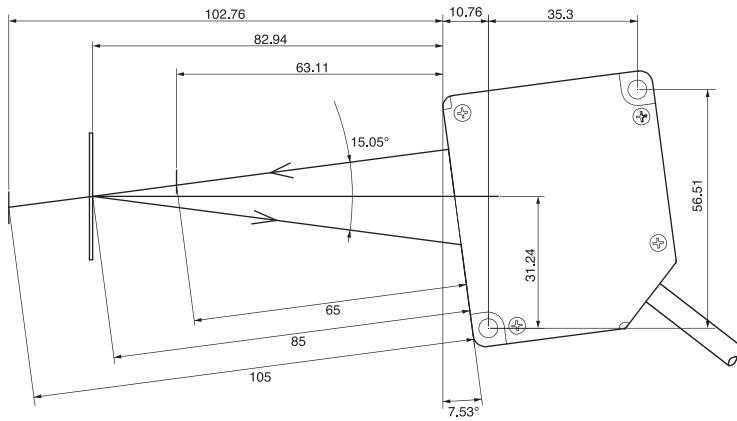
MLD33-L30



MLD33-L50



MLD33-L85



- Fiber Optic
- Slot Sensors
- Photoelectric
- Laser
- Proximity
- Displacement**
- Magnetic
- Contact
- Area
- Ultrasonic
- Vibration
- Temperature
- Cables
- Tester

Guidance

- Displacement**
- TOF measurement
- Mini digital display
- Built-in controller**
- Linear measurement
- Magnetic displacement
- LIDAR Scanner
- Color confocal