

Square

PTV Series



NEW!

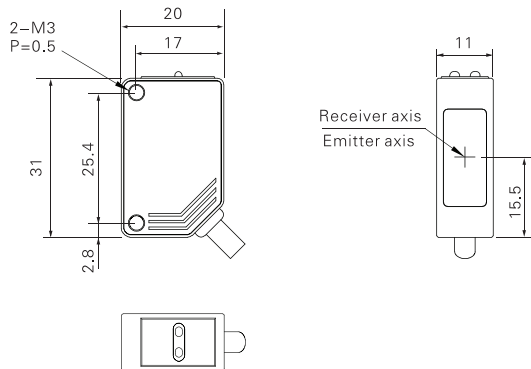
Appearance

Sensing type	Thru-beam				
Sensing distance	20m(fixed)	20m	5m		
Output type	NPN/PNP Open-collector				
Switch type	Selectable L.on/D.on, Model optional		Selectable L.on/D.on		
Response time	< 5ms				
Light source	Infrared light LED(940nm modulation)				
Operating voltage	10~30V DC				
No-load supply current	Transmitter end: ≤20mA; Receiving end: ≤20mA				
Load current	≤100mA(24V DC)				
Ambient temperature	-20℃~+55℃, No freezing				
Ambient humidity	35%~85%RH, No condensation				
Protective circuit	Power reverse polarity, output reverse polarity, surge, short circuit				
Degree of protection	IP65				
Material	PBT+Fiberglass (Housing) , PMMA (Lens)				
Connection method	2M 3core cable				
Weight	≈ 50g				
Accessories	Screwdriver				
Model No.	NPN	PTV-TM20NO	PTV-TM20NC	PTV-TM20AN	PTV-T500N
	PNP	PTV-TM20PO	PTV-TM20PC	PTV-TM20AP	PTV-T500P

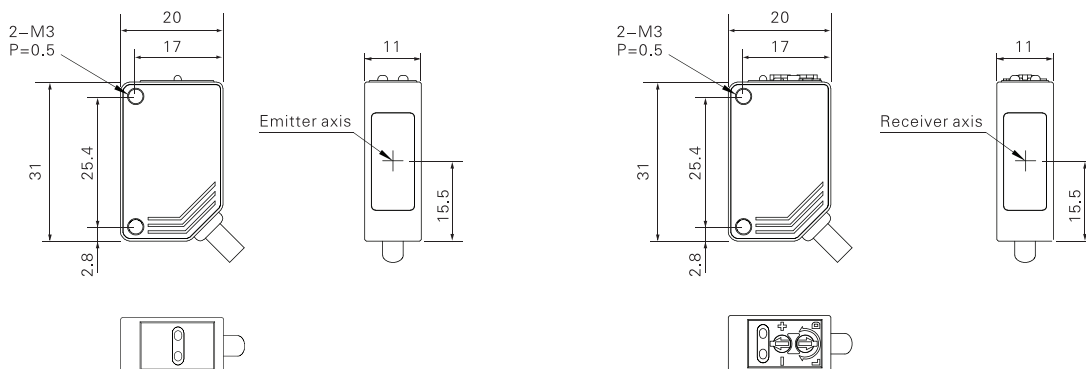
Dimensions

Unit: mm

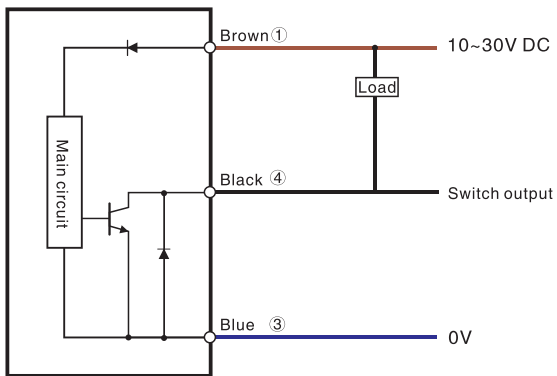
PTV-TM20NO/PO/NC/PC



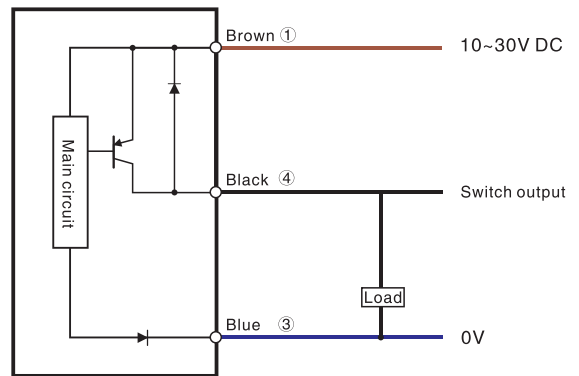
PTV-TM20AN/AP、PTV-T500N/P



NPN Output



PNP Output



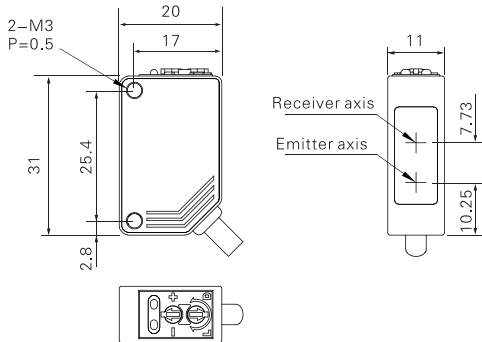


NEW!

Appearance			
Sensing type	Diffuse reflection		Convergent reflective
Sensing distance	30cm	100cm	14cm
Output type	NPN/PNP Open-collector		
Switch type	Selectable L.on/D.on		
Response time	< 1ms		
Light source	Infrared light LED(940nm modulation)		
Operating voltage	10~30V DC		
No-load supply current	≤20mA		
Load current	≤100mA(24V DC)		
Ambient temperature	-20°C~+55°C, No freezing		
Ambient humidity	35%~85%RH, No condensation		
Protective circuit	Power reverse polarity,output reverse polarity,surge,short circuit		
Degree of protection	IP65		
Material	PBT+Fiberglass (Housing) , PMMA (Lens)		
Connection method	2M 3core cable		
Weight	≈50g		
Accessories	Screwdriver		
Model No.	NPN	PTV-D30N HOT	PTV-D70N
	PNP	PTV-D30P	PTV-D70P
			PTV-X09N
			PTV-X09P

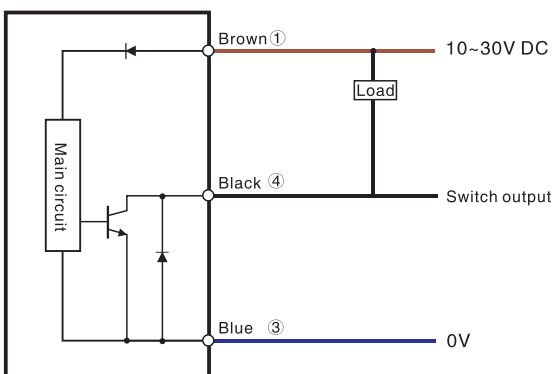
Dimensions

Unit: mm



Circuit diagram

NPN Output



PNP Output

