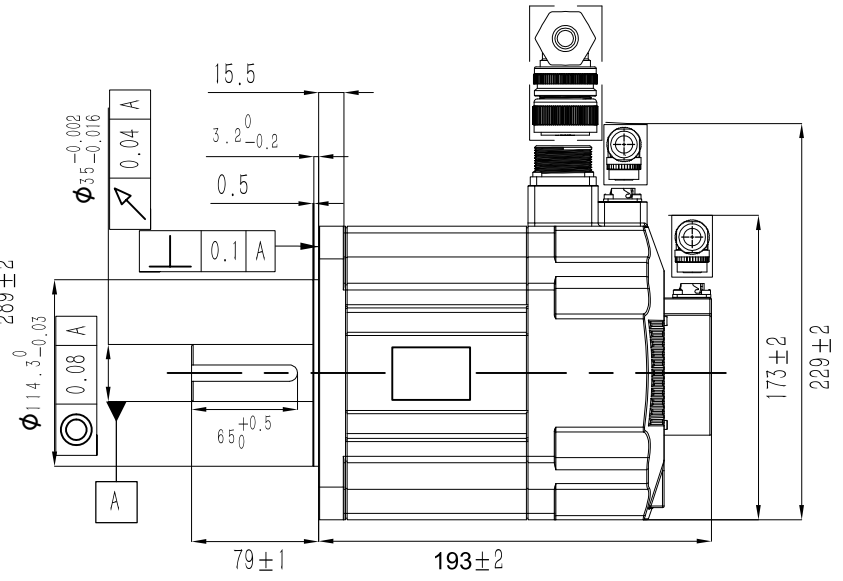
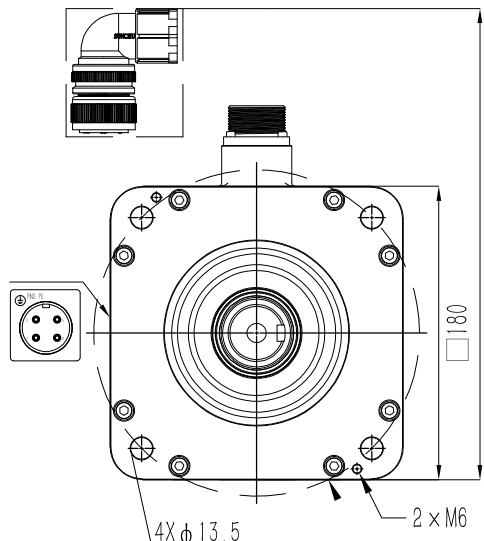
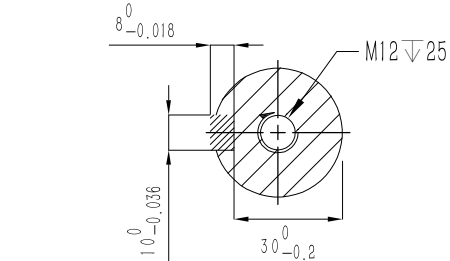
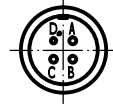


Rated Voltage (Vac)	380
Rated Power (w)	2900
Rated Torque (N.m)	18.6
Peak Torque (N.m)	46.5
Rated Speed (rpm)	1500
Peak Speed (rpm)	3000
Rated Current (Amp)	11.9
Peak Current (Amp)	30
Torque Const (N.m/Amp)	1.56
Back EMF Const (V/krpm)	102
Resistance (Ω)	0.32
Inductance (mH)	7.5
Inertia (kg*m ² *10 ⁻⁴)	39.78
Poles	10
Encoder type	23bit optical
IP rating	IP65
Mass (Kg)	17

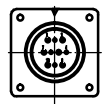


Power connector

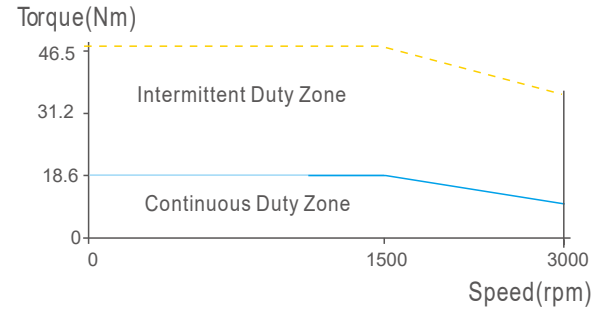


Wiring details of Power cable connector				
Pos	A	B	C	D
Signal	U	V	W	PE
Color	red	yellow	blue	Yel/Gre

Encoder connector



Wiring details of encoder cable connector										
Pos	1	2	3	4	5	6	7	8	9	10
Signal	/	5V	0V	SD+	SD-	E+	E-	/	/	PE
Color	/	red	black	blue	yellow	brown	white	/	/	shield



GMTCNT

S2M180F2900XH

180mm, medium inertia, 2900W servo motor
23bit optical encoder, no brake
MS10