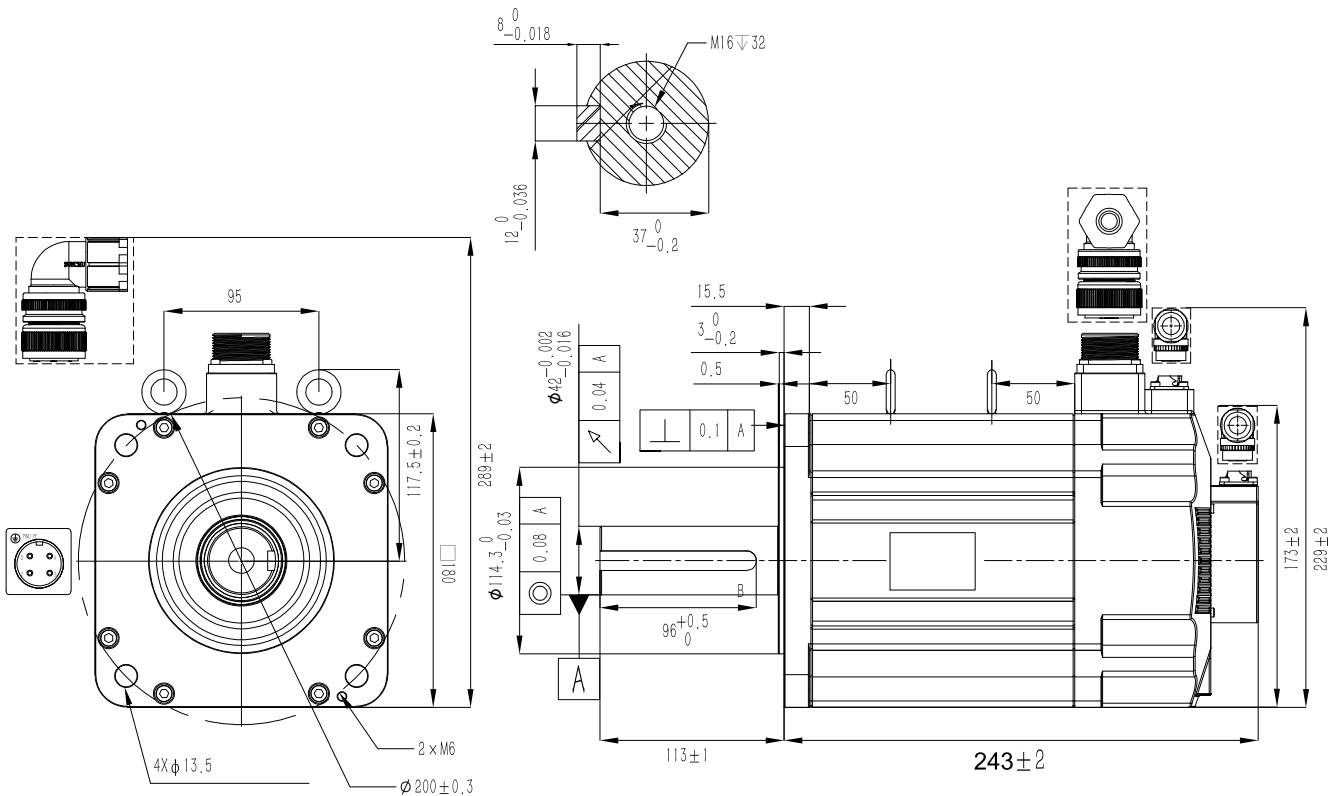
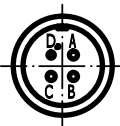


Rated Voltage (Vac)	<b>380</b>
Rated Power (w)	<b>5500</b>
Rated Torque (N.m)	<b>35</b>
Peak Torque (N.m)	<b>87.5</b>
Rated Speed (rpm)	<b>1500</b>
Peak Speed (rpm)	<b>3000</b>
Rated Current (Amp)	<b>20.5</b>
Peak Current (Amp)	<b>51</b>
Torque Const (N.m/Amp)	<b>1.7</b>
Back EMF Const (V/krpm)	<b>113</b>
Resistance (Ω)	<b>0.2</b>
Inductance (mH)	<b>4.9</b>
Inertia (kg*m <sup>2</sup> *10 <sup>-4</sup> )	<b>72.93</b>
Poles	<b>10</b>
Encoder type	<b>23bit optical</b>
IP rating	<b>IP65</b>
Mass (Kg)	<b>25.9</b>



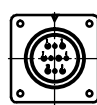
Power connector



Wiring details of Power cable connector

Pos	A	B	C	D
Signal	U	V	W	PE
Color	red	yellow	blue	Yel/Gre

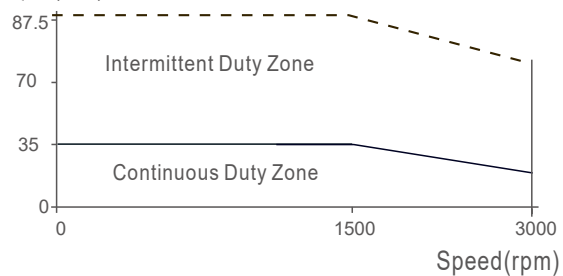
Encoder connector



Wiring details of encoder cable connector

Pos	1	2	3	4	5	6	7	8	9	10
Signal	/	5V	0V	SD+	SD-	E+	E-	/	/	PE
Color	/	red	black	blue	yellow	brown	white	/	/	shield

Torque(Nm)



**GMT**CNT

**S2M180F5500XH**

180mm, medium inertia, 5500W servo motor  
23bit optical encoder, no brake  
MS10