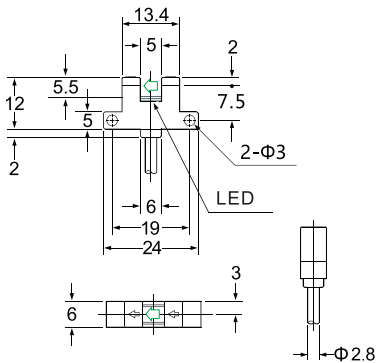


| | | | | | | |
|-------------------------|-----------------------------------------------------------------------------------|-----------------------------------------------------------------------------------|------------------------------------------------------------------------------------|-------------------------------------------------------------------------------------|-------------------------------------------------------------------------------------|------------|
| Appearance |  |  |  |  |  | |
| Shape | K shape | L shape | F shape | R shape | U shape | |
| Sensing distance | 5mm (Slot width) | | | | | |
| Standard sensing object | Opaque objects (Size: > 1.2*1.8mm) | | | | | |
| Repeat accuracy | < 0.03mm | | | | | |
| Output type | NPN or PNP open-collector | | | | | |
| Switch type | Selectable L.on/D.on | | | | | |
| Indicator | Light off when objects are detected; light on when no objects are detected | | | | | |
| Response frequency | 3KHz | | | | | |
| Light source | Infrared LED (940nm) | | | | | |
| Operating voltage | 5~24V DC | | | | | |
| Voltage drop | < 1V(Load current 50mA) | | | | | |
| Current brightness | ≤ 16mA | | | | | |
| Protective circuit | Surge protection, Reverse polarity protection | | | | | |
| Ambient brightness | Incandescent lamp < 1000 Lux | | | | | |
| Ambient temperature | Operation: -25°C~+55°C, Storage: -30°C~+80°C, no freezing | | | | | |
| Ambient humidity | Operation: 5%~85%, Storage: 5%~95%, no condensation | | | | | |
| Withstand voltage | AC, 1000V for 1 minute, between all power connection terminals and housing | | | | | |
| Anti-vibration | 10 to 55 Hz with 1.5mm amplitude for 2 hours each in X, Y, and Z directions | | | | | |
| Insulation resistance | 20MΩ or more between all power connection terminals and housing (based on DC250V) | | | | | |
| Degree of protection | IP50 | | | | | |
| Material | ABS | | | | | |
| Connection method | 2M 4core cable | | | | | |
| Model No. | NPN | SK-206NA-W | SL-205NA-W HOT | SF-202NA-W | SR-204NA-W | SU-201NA-W |
| | PNP | SK-206PA-W | SL-205PA-W | SF-202PA-W | SR-204PA-W | SU-201PA-W |

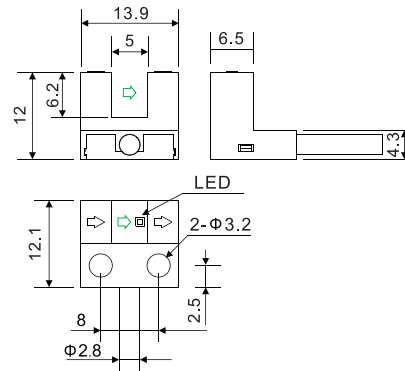
Dimensions

Unit: mm

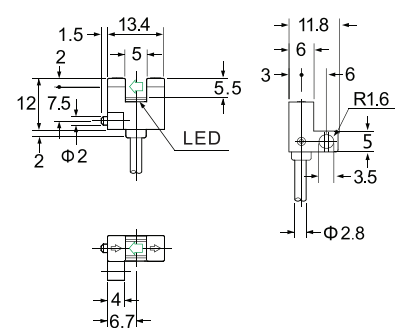
K Shape



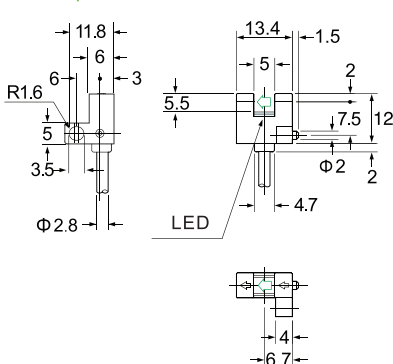
L Shape



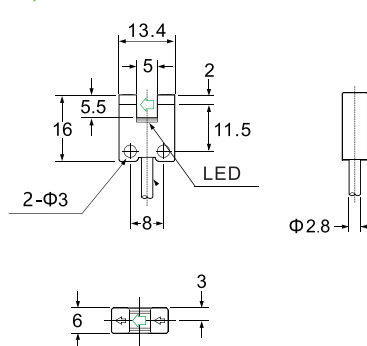
F Shape



R Shape



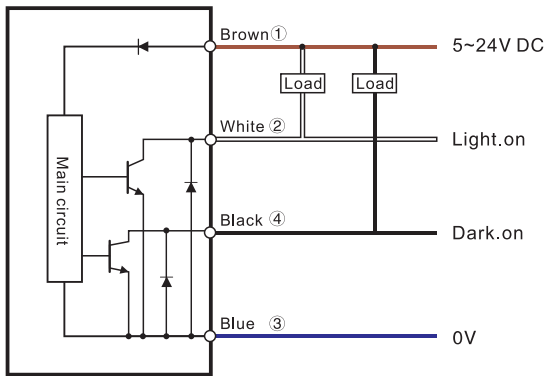
U Shape



Micro Slot Type

Circuit diagram

NPN



PNP

